



1. (20%)

Find the Thevenin equivalent of the circuit to the left of nodes A-B in Fig. 1 with  $k=10$  for (a)  $R_2 = \infty$  and (b)  $R_2 = 50k\Omega$ .

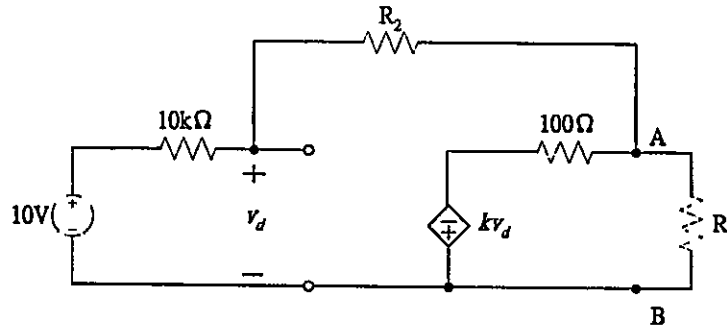


Fig. 1

2. (15%)

For the two-port network shown in Fig. 2 find the values of  $R_1$ ,  $R_2$ , and  $C$ , given that the voltage transfer function is

$$H_v(s) = \frac{V_o(s)}{V_i(s)} = \frac{0.2}{s^2 + 3s + 2}$$

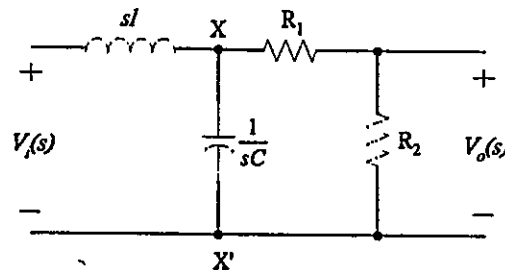


Fig. 2

3. (15%)

For the network in Fig. 3, find the value of the source voltage  $V$  which results in  $V_o = 5 \angle 0^\circ$  V.

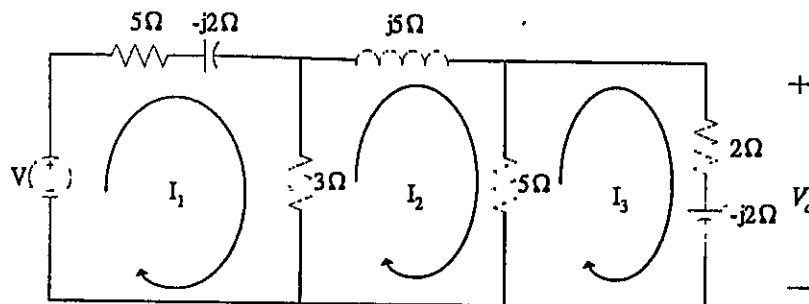


Fig. 3



4. Obtain the complete power triangle for the circuit shown in Fig.4, if the total reactive power is 2500 var (inductive). (7%) Find the branch powers P1 and P2. (8%)

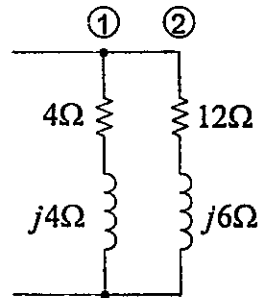


Fig.4

5. Measurements on a practical inductor at 10 MHz give  $L = 8.0 \mu\text{H}$  and  $Q_{\text{inductor}} = 40$ . Find the ideal capacitance  $C$  for parallel resonance at 10 MHz and calculate the corresponding bandwidth  $\beta$ . (15%)
6. Obtain the dotted equivalent circuit for the coupled circuit shown in Fig.5 (7%), and use it to find the voltage  $V$  across the  $10\Omega$  capacitive reactance (13%).

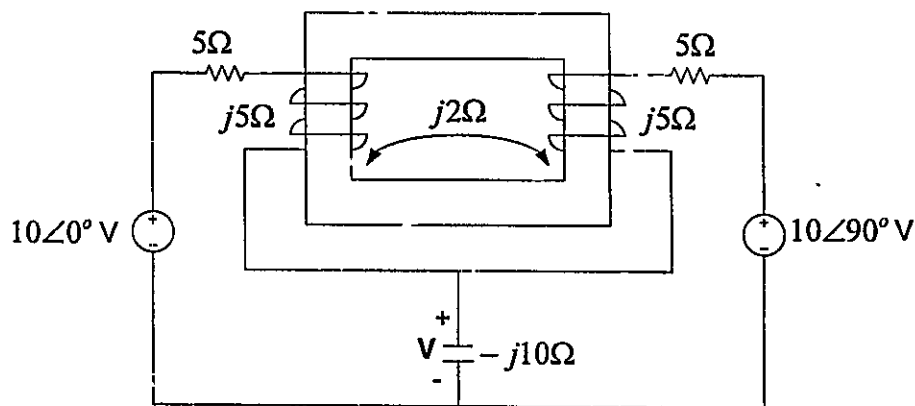


Fig.5



本試題共9題，共計100分，請依題號作答並將答案寫在答案卷上，違者不予計分。

1. (a) (2%) 設計能表示稀疏矩陣 (sparse matrix) 的資料結構。  
(b) (10%) 繼(a)再設計一個副程式 (subroutine) 能將一個稀疏矩陣作轉置 (transpose)。  
請以 pseudo-code 或任何合乎語法的程式語言來描述你所設計的副程式。  
(c) (3%) 請討論在(b)所設計的副程式之計算複雜度為何？
  
2. (8%) 分頁法 (paging) 可用以管理虛擬記憶體 (virtual memory)。然而在程式執行過程中，分頁會逐漸佔據記憶體空間，因而需要適當的分頁替換 (page replacement) 策略。LRU (Least Recently Used) 替換策略為：當需要選出一個分頁作為「犧牲者」時，選取最久未被使用過的分頁作為即將被置換的對象。請運用堆疊 (stack) 技術來實現 LRU 替換策略。請以 pseudo-code 或任何合乎語法的程式語言來描述你的設計。
  
3. (a) (5%) 給出一環形鏈結串列 (circularly linked list) 的資料結構可表示多項式  $3y^8 + 2y^5 + 1$ 。  
(b) (10%) 說明為何回收一環形鏈結串列所需的時間複雜度僅需  $O(1)$ 。(以演算法或示意圖方式說明皆可)
  
4. (a) (9%) 設有二字串欲作模式比對 (pattern matching)，請描述一套可解決此問題的程序。請以 pseudo-code 或任何合乎語法的程式語言來描述。  
(b) (3%) 請討論在(a)所設計的程序之計算複雜度為何？



5. 令  $a, b$  為兩個正整數。
- (a) (5%) 試以遞迴(recursive)的方式寫出一個程式來找出它們的最大公因數(Greatest Common Divisor, GCD)。請以pseudo-code或C語言(但不可用指標)來描述。
- (b) (5%) 試以  $a = 1288, b = 88$  為例來說明你的程式之執行步驟。
6. (a) (3%) 在一個圖形中，何謂關鍵節點(articulation point)?
- (b) (3%) 試找出圖1中之所有的關鍵節點。
- (c) (3%) 在一個圖形中，何謂 biconnected component?
- (d) (3%) 試找出圖1中之所有的 biconnected components。
7. (8%) 給定一棵非空的二元樹(nonempty binary tree)  $T$ 。令  $n_0$  是分支度(degree)為0之節點的數目， $n_2$  是分支度為2之節點的數目，試證明  $n_0 = n_2 + 1$ 。
8. (a) (5%) 選擇一個雜湊函數(hash function)應該考慮哪些因素?
- (b) (5%) 給定一組鍵值(key values) 18, 22, 13, 11, 21, 9, 16。試將這7個鍵值利用下列的雜湊函數  $h(k)$  放入含有 10 個位置的位址空間(從0到9)，若產生碰撞(collision)情況，請將產生碰撞的鍵值列出。
- $h(k) = k^2 \bmod 10$ ，此處 mod 為模數(modulus)運算， $k$  為鍵值。
9. (a) (6%) 試設計一個拓撲排序(topological sorting)演算法。請以pseudo-code或C語言來描述。
- (b) (4%) 給定一個有向圖，如圖2所示，試依你的演算法列出其中一組可能的拓撲排序結果。

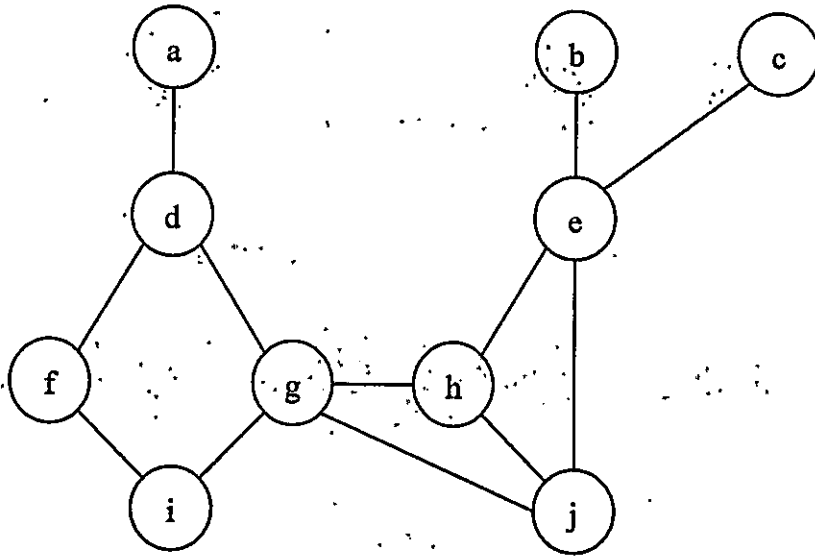


圖 1

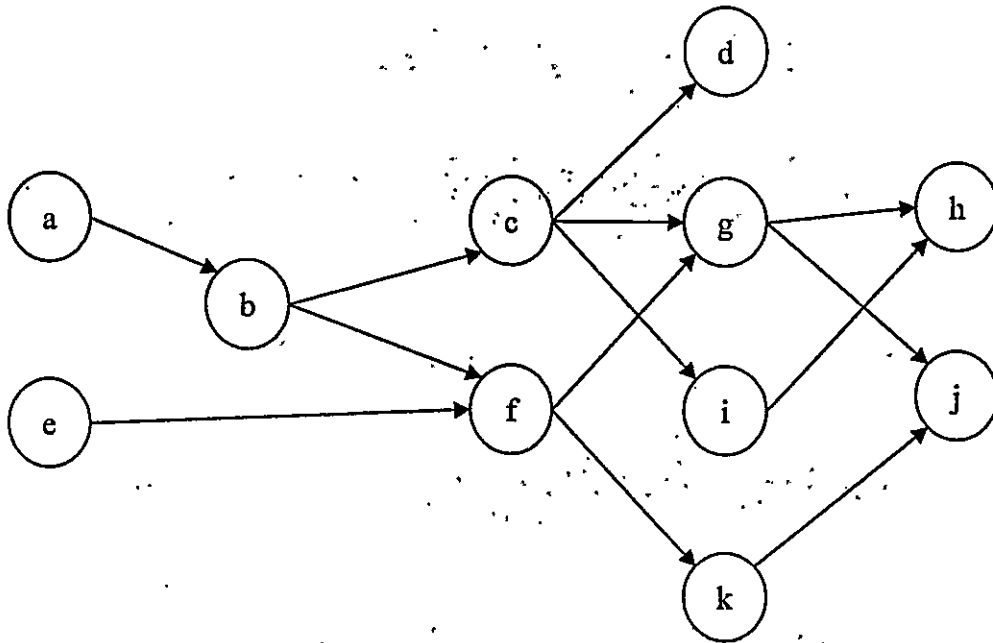


圖 2



1. The voltage  $v(t) = 141.4 \cos \omega t$  V is applied to a load consisting of a  $10\Omega$  resistor in parallel with an inductive reactance  $X_L = \omega L = 3.77\Omega$ . Calculate the instantaneous power absorbed by the resistor and by the inductor. Also calculate the real and reactive power absorbed by the load, and the power factor. (20%)
2. Three single-phase two-winding transformers, each rated 400MVA, 13.8/199.2kV, with leakage reactance  $X_{eq} = 0.1$  per unit, are connected to form a three-phase bank. Winding resistances and exciting current are neglected. The high-voltage windings are connected in Y. A three-phase load operating under balanced positive-sequence conditions on the high-voltage side absorbs 1000MVA at 0.9p.f. lagging, with  $V_{AN} = 199.2\angle 0^\circ$  kV. Determine the voltage  $V_{an}$  at the low-voltage bus if the low-voltage windings are connected (a) in Y, (b) in  $\Delta$ . (30%)
3. Given the symmetrical components to be  $V_0 = 10\angle 0^\circ$  V,  $V_1 = 80\angle 30^\circ$  V,  $V_2 = 40\angle -30^\circ$  V compute the unbalanced phase voltages  $V_a$ ,  $V_b$ , and  $V_c$ . (10%)
4. An area of an interconnected power system has two fossil-fuel units operating on economic dispatch. The variable operating costs of these units are given by

$$C_1 = 8P_1 + 9 \times 10^{-3} P_1^2 \quad \$/\text{hr}$$

$$C_2 = 10P_2 + 8 \times 10^{-3} P_2^2 \quad \$/\text{hr}$$

where  $P_1$  and  $P_2$  are in megawatts. Determine the power output of each unit, the incremental operating cost, and the total operating cost  $C_T$  that minimizes  $C_T$  as the total load demand  $P_T = 900$  MW. Generating unit inequality constraints and transmission losses are neglected. (20%)

5. A set of nonlinear algebraic equations in matrix format is given by

$$\mathbf{f}(\mathbf{x}) = \begin{bmatrix} f_1(\mathbf{x}) \\ f_2(\mathbf{x}) \\ \vdots \\ f_N(\mathbf{x}) \end{bmatrix} = \mathbf{y}$$

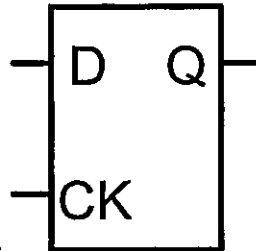
where  $\mathbf{y}$  and  $\mathbf{x}$  are  $N$  vectors and  $\mathbf{f}(\mathbf{x})$  is an  $N$  vector of functions. Given  $\mathbf{y}$  and  $\mathbf{f}(\mathbf{x})$ , we want to solve for  $\mathbf{x}$ . Explain how to solve by the Newton-Raphson method. (20%)



1. (10%) 請將下面的運算式乘開為積項和(Sum of Products)的型式。

$$(W + X + Y)(W' + X' + Z)(W' + Y + Z')(W + Y' + Z)$$

2. (10%) 請用下圖的 D 型正反器(D-Flip/Flop)設計一個負緣觸發(Negative Edge Trigger)的四位元位移暫存器(Shift-Register)。(可以視需要加入其它邏輯閘)

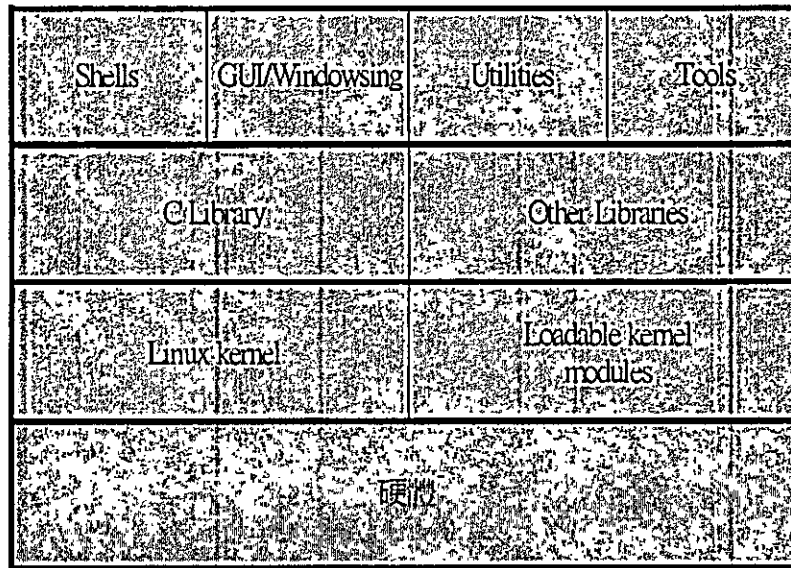


圖一

3. (5%) (a)請使用四個雙輸入反及閘(NAND)來設計具有時脈(CK)輸入的的 SR 控鎖(Latch)。  
(5%) (b)請寫出此 SR 控鎖電路的真值表。
4. 請寫出下列縮寫的英文全名並解釋其中文意義：  
(4%) (a) BIOS  
(4%) (b) DMA  
(4%) (c) CPU
5. (4%) (a) 請寫出四位元 Gray-Code 碼與十進位數字的對照表。  
(4%) (b) 請以文字解釋 Gray-Code 碼的特性。



6. Embedded Linux 作業系統之建置是基於現成的 Linux 作業系統。請說明 Linux 作業系統與 Embedded Linux 作業系統的差異性？請參考圖二的作業系統架構圖做說明：
- (a) (5%)Linux 與 Embedded Linux 所使用的硬體平台(Hardware platform)有何差異？
- (b) (5%)Linux 與 Embedded Linux 所採用的系統核心(Linux kernel)與可載入核心模組(Loadable kernel modules)有何差異？



圖二

7. 一般處理器的組合語言指令集(Assembly Instruction Set)，可以分成精簡指令集(RISC)與複雜指令集(CISC)，二大類。請問：
- (a) (5%)請問精簡指令集(RISC)型的處理器有何優點？有何缺點？
- (b) (5%)為何精簡指令集(RISC)型的處理器比較常被嵌入式系統領域所採用？
8. 為何 Java 程式語言(Java Language)與 Java 虛擬機器(Java Virtual Machine)，特別適合應用於嵌入式系統的應用軟體開發工作？請從以下 Java 技術所具備的五大優點特色來分析：
- (a) (2%)物件導向特性(Object oriented)？
- (b) (2%)可攜性(Portability)？
- (c) (2%)自動回收記憶體管理(Garbage collection)？
- (d) (2%)支援網路處理能力(Network layer support)？
- (e) (2%)動態載入程式庫(Dynamic loading Java classes)？
9. 程式設計如圖三。假設 p 變數所在的記憶體位址為：0x22ff74，且 ptr1 變數所在的記憶體位址為：0x22ff70：
- (a) (4%) \*ptr1 = ?
- (b) (4%) ptr1 = ?





(c) (4%) \*\*ptr2 = ?

(d) (4%) \*ptr2 = ?

(e) (4%) ptr2 = ?

```
#include <iostream>
using namespace std;
int main() {
    int p = 10;
    int *ptr1 = &p;
    int **ptr2 = &ptr1;
    return 0;
}
```

圖三



1. Solve for  $y(t)$  for the following system represented in state space, where  $u(t)$  is the unit step. Uses the Laplace transform approach to solve the state equation (15%)

$$\dot{X} = \begin{bmatrix} -3 & 1 & 0 \\ 0 & -6 & 1 \\ 0 & 0 & -5 \end{bmatrix} X + \begin{bmatrix} 0 \\ 1 \\ 1 \end{bmatrix} u(t)$$

$$y = [0 \ 1 \ 1]X; \quad X(0) = \begin{bmatrix} 0 \\ 0 \\ 0 \end{bmatrix}$$

2. Using Mason's rule, find the transfer function,  $T(s) = C(s)/R(s)$ , for the system represented in Figure 1. (10%)

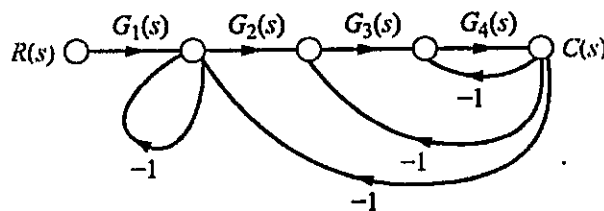


Figure 1

3. Given the system (15%)

$$\dot{X} = \begin{bmatrix} 0 & 3 & 1 \\ 2 & 8 & 1 \\ -10 & -5 & -2 \end{bmatrix} X + \begin{bmatrix} 10 \\ 0 \\ 10 \end{bmatrix} u(t)$$

$$y = [0 \ 1 \ 1]X$$

Find out how many poles are in the left half-plane, in the right half-plane, and on the  $j\omega$ -axis.

4. Find the sensitivity of the steady-state error to changes in parameter  $K$  and parameter  $a$  for the system shown in Figure 2 with a step input. (10%)

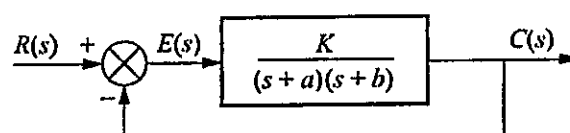


Figure 2



5. Given a unity feedback system that has the forward path transfer function:

$$G(s) = \frac{K}{(s+4)(s^2+2s+2)}$$

Find the root locus for the following terms: (20%)

- (a) Departure angle. (10%)  
(b) Range of K for stability. (10%)
6. Consider the system with the transfer function (20%)

$$g(s) = \frac{2s+1}{s^3+s^2+s-6}$$

- (a) Find the controllable canonical form of the system ( $A_c, B_c, C_c$ )  
(b) Design a feedback controller, K so that the poles of the closed-loop are assigned at  $s = -5, -3 \pm j3$ .

7. Plot the Nyquist diagram for the unity feedback system with the open-loop transfer function, (10%)

$$G(s) = \frac{500}{(s+1)(s+3)(s+10)}$$



1. Find the general solution of the differential equation (10 分)

$$[D^3 - 2D^2 + D]y = 2x; \quad [\text{Note: } D^n y = y^{(n)} = \frac{d^n}{dx^n} y]$$

2. Find the general solution,  $y(x) = c_1 y_1(x) + c_2 y_2(x)$ , of the differential equation  $x^2 y'' + xy' - y = 0$ ,  $x > 0$ . To explain if  $y_1, y_2$  are linear independent by Wronskain test. (15 分)

3. Let  $A = \begin{bmatrix} -1 & 0 \\ 1 & -5 \end{bmatrix}$ , find: (1)  $P$ , and diagonal matrix  $D = P^{-1}AP$ ,  
 (2)  $(A^2 + 6A + 4I)^5 = ?$  (10 分)

4. To solve the initial value problem,  $\begin{cases} x_1' = 2x_1 - 10x_2 \\ x_2' = -x_1 - x_2 \end{cases}$ ,  $X(0) = \begin{bmatrix} 7 \\ 0 \end{bmatrix}$ , by matrix methods. (15 分)

5. Find the Laplace transform for the following functions (10%)  
 $[\sin(t-1) + (t^2 - 2)]H(t-1)$

6. Find the inverse Laplace transform for the following functions.

(a)  $\ln[(s+2)/(s-1)]$ , (10%)

(b)  $\frac{se^{-2s}}{(s+2)^2(s^2+4s+8)}$ . (10%)

7. Find the sum of the series  $\sum_{n=1}^{\infty} (-1)^n / (4n^2 - 1)$ . (hint :expand  $\sin(x)$  in a Fourier cosine series on  $[0, \pi]$  and choose an appropriate value of  $x$ . (10%)

8. Find the inverse Fourier transform for function:  $\frac{2e^{(\omega-2)t}}{[2 + (\omega-2)i]}$ . (10%)



1. In the circuit in Fig.1 with transistor parameters  $\beta = 180$  and  $V_A = \infty$ , design the bias resistors  $R_1$  and  $R_2$  to achieve maximum symmetrical swing in the output voltage and to maintain a bias-stable circuit. The total instantaneous C-E voltage is to remain in the range  $0.5 \leq v_{CE} \leq 4.5$  V and the total instantaneous collector current is to be  $i_C \geq 0.25$  mA. ( $R_1 // R_2 = 1.81$  k $\Omega$ ) (25%)

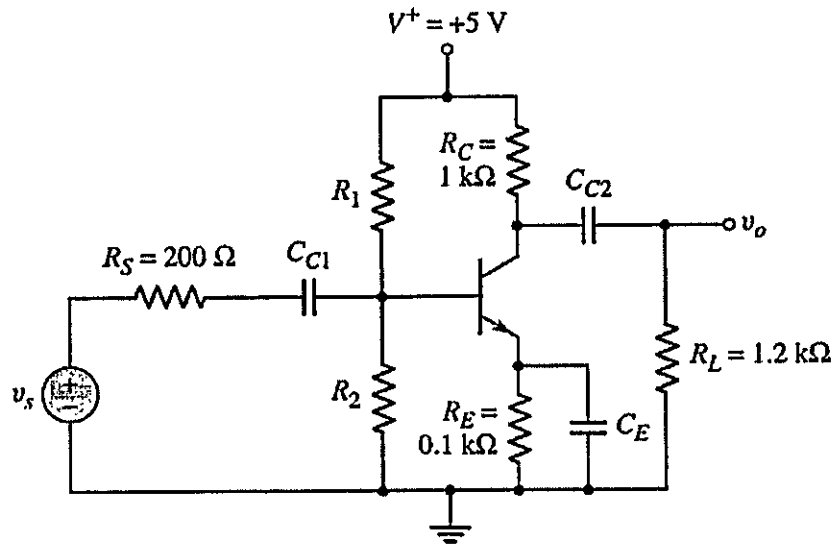


Fig.1

2. For the circuit shown in Fig.2, the transistor parameters are:  $I_{DSS} = 6$  mA,  $|V_p| = 2$  V, and  $\lambda = 0$ . (a) Calculate the quiescent drain current and source-to-drain voltage of Q1 (10%) (b) Derive the expression of the overall small-signal voltage gain. (15%)

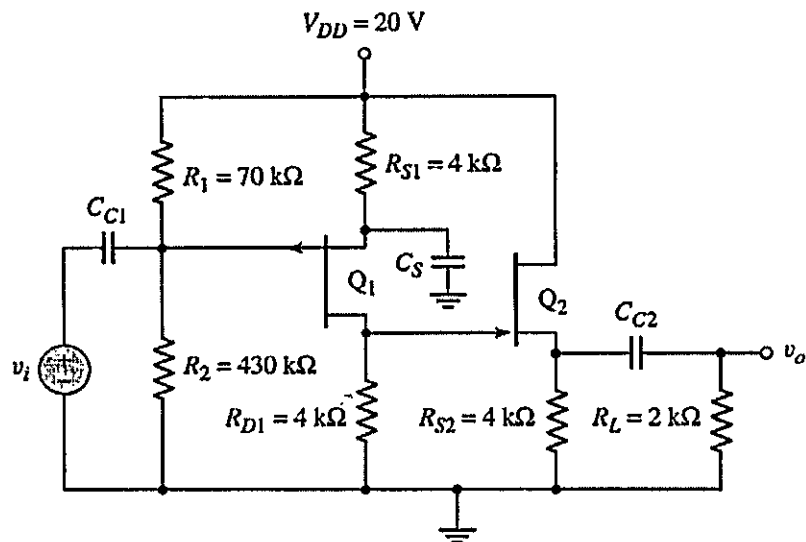


Fig.2



3. For the MOSFET circuit shown in Fig. 3, the transistor parameters are :  $\frac{1}{2}\mu_n C_{ox} \frac{W}{L} = 1\text{mA/V}^2$ ,  $V_{TN}=1\text{V}$ ,  $\lambda = 0$ ,  $C_{gs} = 2\text{pF}$ ,  $C_{gd} = 0.5\text{pF}$ .
- Calculate  $I_D$ ,  $g_m$ . (5%)
  - Draw the simplified high-frequency equivalent circuit. (5%)
  - Find the midband voltage gain. (5%)
  - Calculate the equivalent Miller Capacitance. (5%)
  - Determine the upper 3dB frequency for the small-signal voltage gain. (5%)

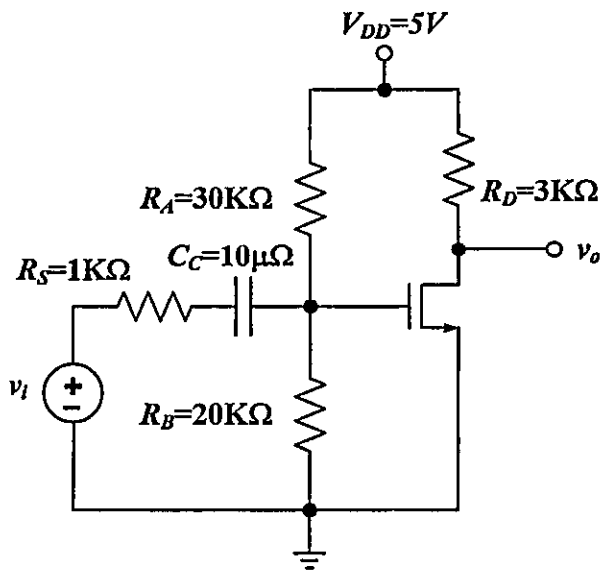


Figure 3

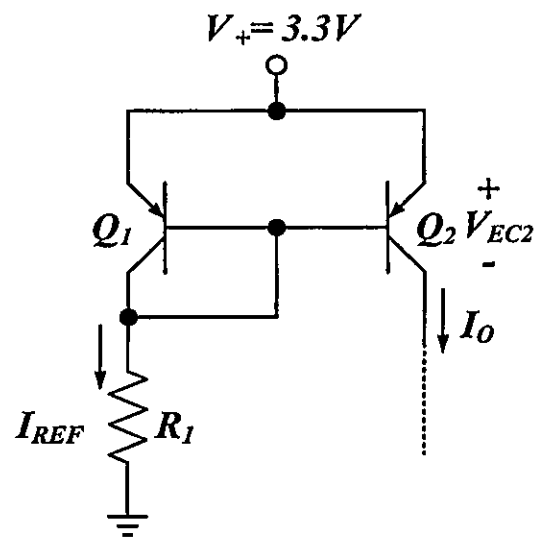


Figure 4

4. Figure 4 shows a basic two-transistor pnp current source. The transistor parameters are :  $\beta = 50$ ,  $V_{EB(on)} = 0.6\text{V}$ , and  $V_A = 50\text{V}$ . The transistor value of  $R_1$  is designed at  $9\text{K}\Omega$ . Determine  $I_O$  for (a)  $V_{EC2} = 0.6\text{V}$ , (b)  $V_{EC2} = 2\text{V}$ . (10%)
5. Consider a four pole feedback loop system with a loop gain given by

$$T(f) = \frac{\beta(10^4)}{\left(1 + j\frac{f}{10^6}\right)\left(1 + j\frac{f}{10^7}\right)\left(1 + j\frac{f}{10^8}\right)\left(1 + j\frac{f}{10^9}\right)}$$

Determine the value of  $\beta$  and the frequency that produces a phase margin of 45 degrees. (15%)



1. (10%) Let  $\mathbf{u}$  be a vector in  $\mathbb{R}^2$  whose projection onto the  $x$ -axis is  $u_x$  as shown in Figure 1. Determine the entries of the vector  $\mathbf{u}$ .

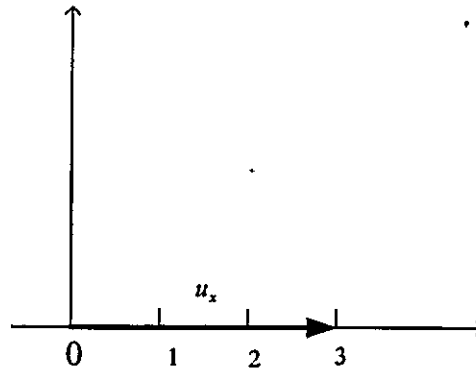


Figure 1.

2. (10%) Let

$$\mathbf{A} = \begin{bmatrix} 6 & 2 & 8 \\ 9 & 5 & 11 \\ 3 & 1 & 6 \end{bmatrix}$$

$$\mathbf{L} = \begin{bmatrix} 2 & 0 & 0 \\ t & s & 0 \\ 1 & 0 & -1 \end{bmatrix}$$

$$\mathbf{U} = \begin{bmatrix} r & 1 & 4 \\ 0 & 2 & -1 \\ 0 & 0 & p \end{bmatrix}$$

Find scalars  $r, s, t$  and  $p$  so that  $\mathbf{LU} = \mathbf{A}$ .

3. (15%) Determine whether each of the following statements is *True* or *False*, and explain.
- $\det(A+B) = \det(A) + \det(B)$
  - $\det(A^{-1}B) = \frac{\det(B)}{\det(A)}$
  - If  $\det(A) = 0$ , then  $A$  has at least two equal rows.
  - If  $A$  has a column of all zeros, then  $\det(A) = 0$ .
  - $A$  is singular if and only if  $\det(A) = 0$ .

4. (15%) Let

$$S = \left\{ \begin{bmatrix} 1 \\ 2 \\ 0 \end{bmatrix}, \begin{bmatrix} 1 \\ 0 \\ 1 \end{bmatrix}, \begin{bmatrix} 2 \\ 8 \\ -2 \end{bmatrix}, \begin{bmatrix} 3 \\ 0 \\ 0 \end{bmatrix}, \begin{bmatrix} 4 \\ 0 \\ 1 \end{bmatrix} \right\}.$$

Show that  $\text{span}(S) = \mathbb{R}^3$  and find a basis for  $\mathbb{R}^3$  consisting of vectors from  $S$ .



5. (15%) Let  $L: \mathbb{R}^3 \rightarrow \mathbb{R}^3$  be a linear transformation for which we know that

$$L\left(\begin{bmatrix} 1 \\ 0 \\ 1 \end{bmatrix}\right) = \begin{bmatrix} 1 \\ 2 \\ 3 \end{bmatrix}, \quad L\left(\begin{bmatrix} 0 \\ 1 \\ 2 \end{bmatrix}\right) = \begin{bmatrix} 1 \\ 0 \\ 0 \end{bmatrix}, \quad L\left(\begin{bmatrix} 1 \\ 1 \\ 0 \end{bmatrix}\right) = \begin{bmatrix} 1 \\ 0 \\ 1 \end{bmatrix}$$

(a) Find  $L\left(\begin{bmatrix} 4 \\ 1 \\ 0 \end{bmatrix}\right) = ?$

(b) Find  $L\left(\begin{bmatrix} 0 \\ 0 \\ 0 \end{bmatrix}\right) = ?$

6. (10%) Consider vector space  $\mathbb{R}^2$ .

(a) For what values of  $m$  and  $b$  will the set of all vectors of the form  $\begin{bmatrix} x \\ mx + b \end{bmatrix}$  be a *subspace* of  $\mathbb{R}^2$ ?

(b) For what value of  $r$  will the set of all vectors of the form  $\begin{bmatrix} x \\ rx^2 \end{bmatrix}$  be a *subspace* of  $\mathbb{R}^2$ ?

7. (10%) Let  $L: \mathbb{R}^2 \rightarrow \mathbb{R}^2$  be the linear transformation defined by

$$L\left(\begin{bmatrix} x_1 \\ x_2 \end{bmatrix}\right) = \begin{bmatrix} x_2 - x_1 \\ 2x_1 + x_2 \end{bmatrix},$$

and let

$$S = \left\{ \begin{bmatrix} 1 \\ 0 \end{bmatrix}, \begin{bmatrix} 0 \\ 1 \end{bmatrix} \right\}$$

$$T = \left\{ \begin{bmatrix} 1 \\ 1 \end{bmatrix}, \begin{bmatrix} 2 \\ 1 \end{bmatrix} \right\}$$

be two bases for  $\mathbb{R}^2$ . Find the matrix representation  $[L]_T^S$  of  $L$  with respect to  $T$  and  $S$ .

8. (15%) Let  $A = \begin{bmatrix} 3 & 1 \\ 0 & 2 \end{bmatrix}$ .

(a) Find a nonsingular matrix  $P$  such that  $P^{-1}AP$  is diagonal.

(b) Derive a formula for  $A^k$ , where  $k$  is any positive integer.



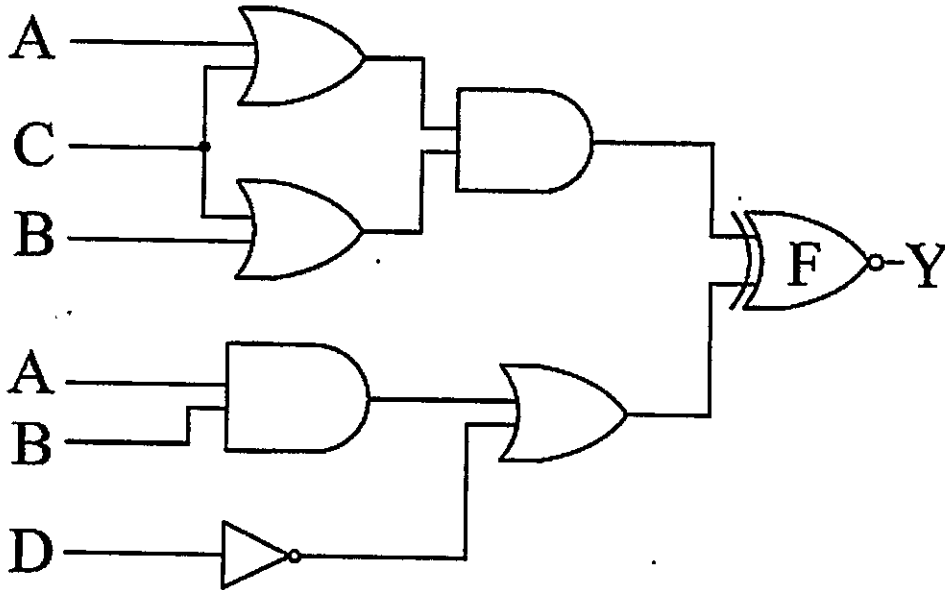


本試題共十題，每題 10 分，共計 100 分，請依題號作答並將答案寫在答案卷上，違者不予計分。

1. 有一個邏輯電路，設計如圖一：

(a) (5%) 請說明 F 邏輯閘是哪一種邏輯閘？邏輯運算符號為何？

(b) (5%) 用卡諾圖(Karnaugh Map)化簡方法求出 Y 布林函數的 minimum sum of product?



圖一

2. 請比較以下二種加法器的架構與缺點：

(a) (5%) 請用圖解的方式說明漣波進位加法器(Ripple-Carry Adder)的架構與原理？其缺點為何？

(b) (5%) 請用圖解的方式說明前瞻進位加法器(Carry-Lookahead Adder)的架構與原理？其缺點為何？

3. 任何的布林代數函數都可以用 NOT, OR, AND, 三種基本邏輯閘來實現。因此，任何的邏輯電路模組如果可以實現上述三種基本邏輯閘，就可以實現任何的布林代數函數：

(a) (4%) 請用圖解的方式說明 4-to-1 多工器電路模組可以實現 NOT 基本邏輯閘？

(b) (3%) 請用圖解的方式說明 4-to-1 多工器電路模組可以實現 OR 基本邏輯閘？

(c) (3%) 請用圖解的方式說明 4-to-1 多工器電路模組可以實現 AND 基本邏輯閘？



4. 假設某個處理器有三類指令集，分別是指令集 A、指令集 B 及指令集 C。而且，各個指令集的單位指令執行時間(Cycles Per Instruction, CPI)分別為  $CPI_A$ ,  $CPI_B$ ,  $CPI_C$ 。
- (a) (5%) 當處理器的時脈頻率被調高到原來的 110% 時，而指令集 A、指令集 B 及指令集 C 的單位指令執行時間(Cycles Per Instruction, CPI)  $CPI_A$ ,  $CPI_B$ ,  $CPI_C$  都沒有任何變動。請問此處理器的效能增益(Performance Gain)為何？效能增益(Performance Gain)的定義如下：
- $$\text{Performance Gain} = (\text{Original Overall Processing Time} / \text{New Overall Processing Time}) - 100\%$$
- (b) (5%) 當處理器的時脈頻率被調高到原來的 120% 時，而  $CPI_A' = 1.2CPI_A$ ,  $CPI_B' = CPI_B$  (不變),  $CPI_C' = CPI_C$  (不變)。假如指令集 A 佔整個運算過程中的 40%，而指令集 B 與指令集 C 佔整個運算過程中的 60%，請問此處理器的效能增益(Performance Gain)為何？
5. 一般處理器的組合語言指令集(Assembly Instruction Set)，可以分成精簡指令集(RISC)與複雜指令集(CISC)，二大類。請問：
- (a) (5%) 請問精簡指令集(RISC)型的處理器有何優點？有何缺點？
- (b) (5%) 為何精簡指令集(RISC)型的處理器比較常被嵌入式系統領域所採用？
6. (a) (3%) 何謂多核心 (multiple compute cores) 處理器？
- (b) (7%) 有哪些方法可讓多核心處理器益加發揮效能？
7. 考慮圖二所示之 C 語言程式。令每個整數型態資料均佔用 4 位元組 (bytes) 記憶體空間。

```

#include <stdio.h>

void main ()
{
    int i, j, num[3][3] = {0};
    int **ptr1 = &num[2];
    int *ptr2 = &num[0][0];

    for (i = 0; i < 3; i++)
        for (j = 0; j <= i; j++) num[i][j] = (i+1)*(j+1);
    *(ptr2+4) = -1;
    printf("%d, %d\n", *ptr1, *(ptr2+8));
}

```

圖二



- (a) (5%) 圖二程式的 `printf()` 輸出結果為何？
- (b) (5%) 圖二程式在即將執行 `printf()` 之時，`num` 陣列中的元素值分別為何？(須寫出所有正確的元數值才給分)
8. (a) (5%) 試說明計算機系統中的中斷處理 (interrupt handling) 流程。
- (b) (5%) 請以計時器 (timer) 中斷為例，說明服務該中斷的流程。
9. (a) (3%) 何謂 P2P (peer-to-peer) 技術？
- (b) (7%) 使用 P2P 軟體有何缺點？
10. (a) (5%) 請說明「線路交換」(circuit switching) 及「分封交換」(packet switching) 技術的工作方式。
- (b) (5%) 比較「線路交換」與「分封交換」之不同點。